

# CPR-5222-1M4

## 5250W Blade Server Power Supply AC to DC Redundant



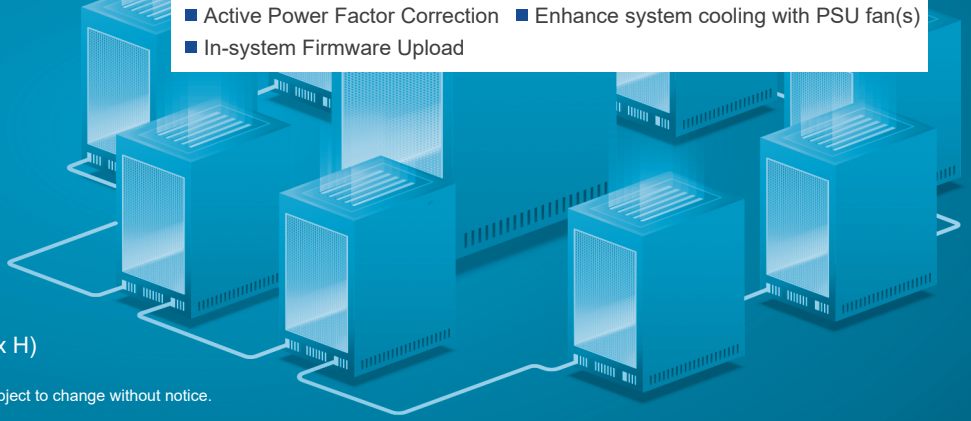
### FEATURES

- High Efficiency: 96%
- Hot Swappable
- PMBus Support
- Smart Fan Speed Control
- Active Power Factor Correction
- In-system Firmware Upload
- Follows IPC-9592B Class I guidelines
- Supports up to 8 PSUs in parallel
- Offers 155% load peak power for 500  $\mu$ s
- Space-saving with higher power output
- Enhance system cooling with PSU fan(s)



■ Dimension : 245.3 x 106.5 x 82.1 mm (D x W x H)

▲ Product details and image are for reference and final product is subject to change without notice.



## SPECIFICATIONS

### ► INPUT

|           |  |
|-----------|--|
| Voltage   | AC input: 180 - 264 Vac  |
| Frequency | 47 - 63Hz  |
| Current   | AC 220 - 240 / 16 - 14.4A x2<br>AC 180 - 264 / 17.1 - 11.7A x2 |

### ► EFFICIENCY, PFC, THD

| Load (%) | Power Factor | Total Efficiency | THD |
|----------|--------------|------------------|-----|
| 10%      | 0.90         | 90%              | 20% |
| 20%      | 0.96         | 94%              | 15% |
| 40%      | 0.96         | 95%              | 8%  |
| 50%      | 0.98         | 96%              | 6%  |
| 100%     | 0.99         | 93%              | 6%  |

### ► OUTPUT

|                |          |          |          |
|----------------|----------|----------|----------|
| Parameter      | 54V      | 12V      | 12Vsb    |
| Max Load       | 97.2A    | 125A     | 4A       |
| Regulation     | ±3%      | ±5%      | ±5%      |
| Ripple & Noise | 500mVp-p | 150mVp-p | 150mVp-p |

### ► PROTECTION, RELIABILITY, WARRANTY

Over Current Protection (OCP)  
Over Power Protection (OPP)  
Over Voltage Protection (OVP)  
Over Temperature Protection (OTP)  
Holdup Time: 11msec @ 75% Load  
MTBF: >1,000,000 hours @ 30°C  
Warranty: 3 Years

### ► ENVIRONMENTAL

|                   |   |
|-------------------|---|
| Temperature       | Operating : 0 to 55°C<br>Non-operating : -40 to 70°C                                      |
| Altitude          | Operating: to 16,500 feet (5,000 meters)<br>Non-operating: to 35,000 feet (10,580 meters) |
| Relative Humidity | Operating: 20% to 90% RH, Non-condensing<br>Storage: 5% to 95% RH, Non-condensing         |

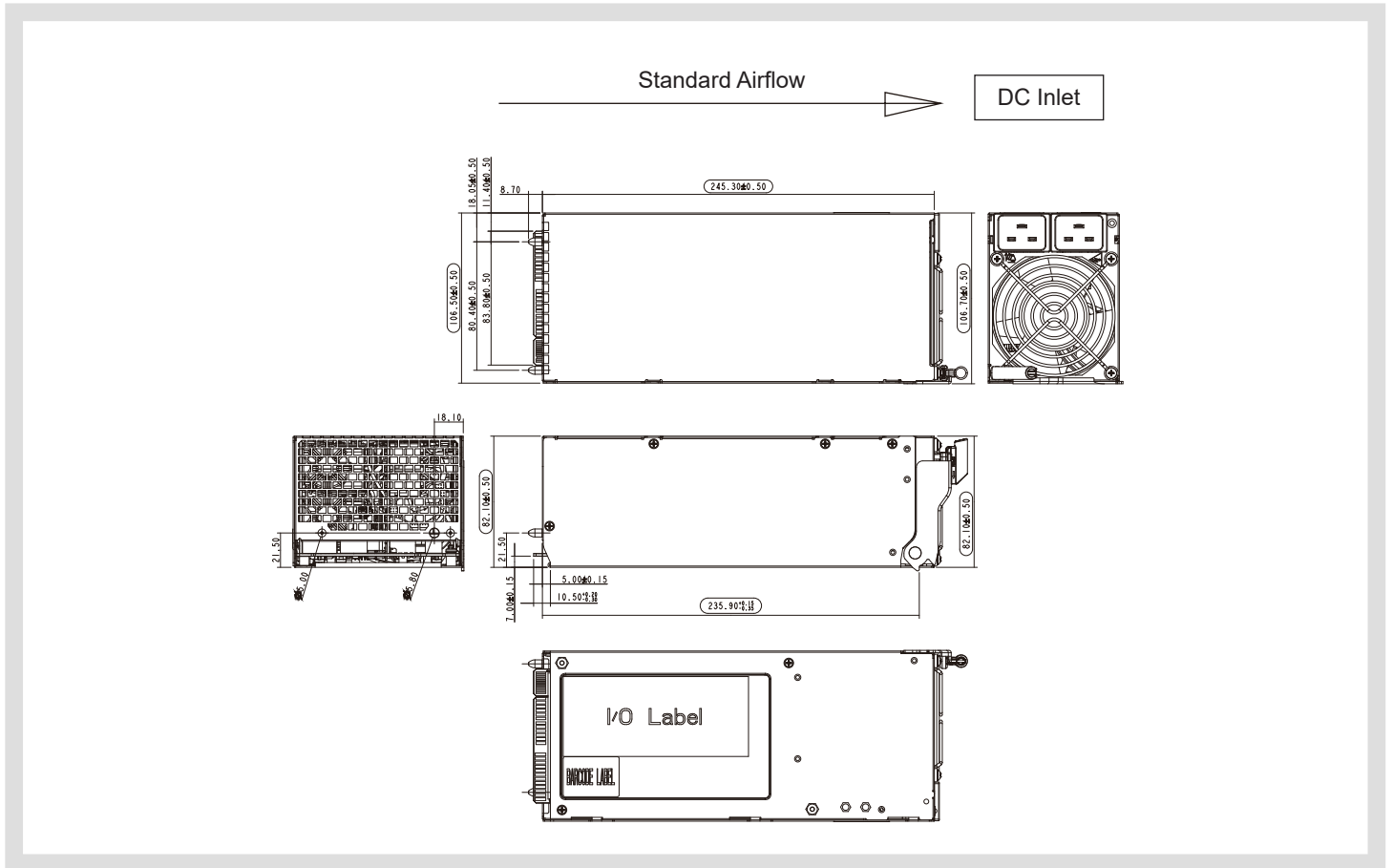
## SAFETY AND COMPLIANCE

UL, C-UL, CE, CQC 5000m, FCC class A, CISPR Class A, BSMI, RoHS, REACH

# CPR-5222-1M4



## MECHANICAL DRAWING



### CONNECTORS

|                  |   |
|------------------|---|
| AC Inlet         | 2 independent IEC 320 C-20(20A / 250 VAC), (16A/250Vac VDE) |
| DC Output        | Gold Finger   |
| DC Output Mating | Amphenol eHPCE 26P+22S (vertical) or (right angle)          |

### OUTPUT CONNECTOR PIN ASSIGNMENTS

| PIN# | Signal Name | PIN# | Signal Name | PIN# | Signal Name | PIN# | Signal Name | PIN# | Signal Name | PIN# | Signal Name |
|------|-------------|------|-------------|------|-------------|------|-------------|------|-------------|------|-------------|
| S1   | SMBAlert    | S9   | +12V-RS     | MP6  | +54V        | S22  | Ishare_54V  | S14  | Ishare_12V  | MP19 | GND         |
| S2   | I2C SDA2    | S10  | 12Vsb       | MP7  | Skip        | S21  | I2C SCL2    | S13  | Present_L   | MP20 | Skip        |
| S3   | DC GOOD     | S11  | 12Vsb       | MP8  | GND         | S20  | PSON        | S12  | 54V RS      | MP21 | 54V         |
| S4   | M1_Active 1 | MP1  | +12V        | MP9  | GND         | S19  | M2_Active2  | MP14 | GND         | MP22 | 54V         |
| S5   | I2C SCL1    | MP2  | +12V        | MP10 | GND         | S18  | I2C SDA1    | MP15 | GND         | MP23 | 54V         |
| S6   | A2          | MP3  | +12V        | MP11 | GND         | S17  | A1          | MP16 | GND         | MP24 | 12V         |
| S7   | Battery ID  | MP4  | +54V        | MP12 | GND         | S16  | A0          | MP17 | GND         | MP25 | 12V         |
| S8   | Wakeup_bus  | MP5  | +54V        | MP13 | GND         | S15  | Reserved    | MP18 | GND         | MP26 | 12V         |



**Compuware Technology Inc.**

Tel: 886-2-8226-3936 Address: 5F., No. 232, Liancheng Rd., Zhonghe Dist., New Taipei City 235, Taiwan (R.O.C.)



[www.compuware-us.com](http://www.compuware-us.com)